

Softglass

ANGOLO PA3 + FA3

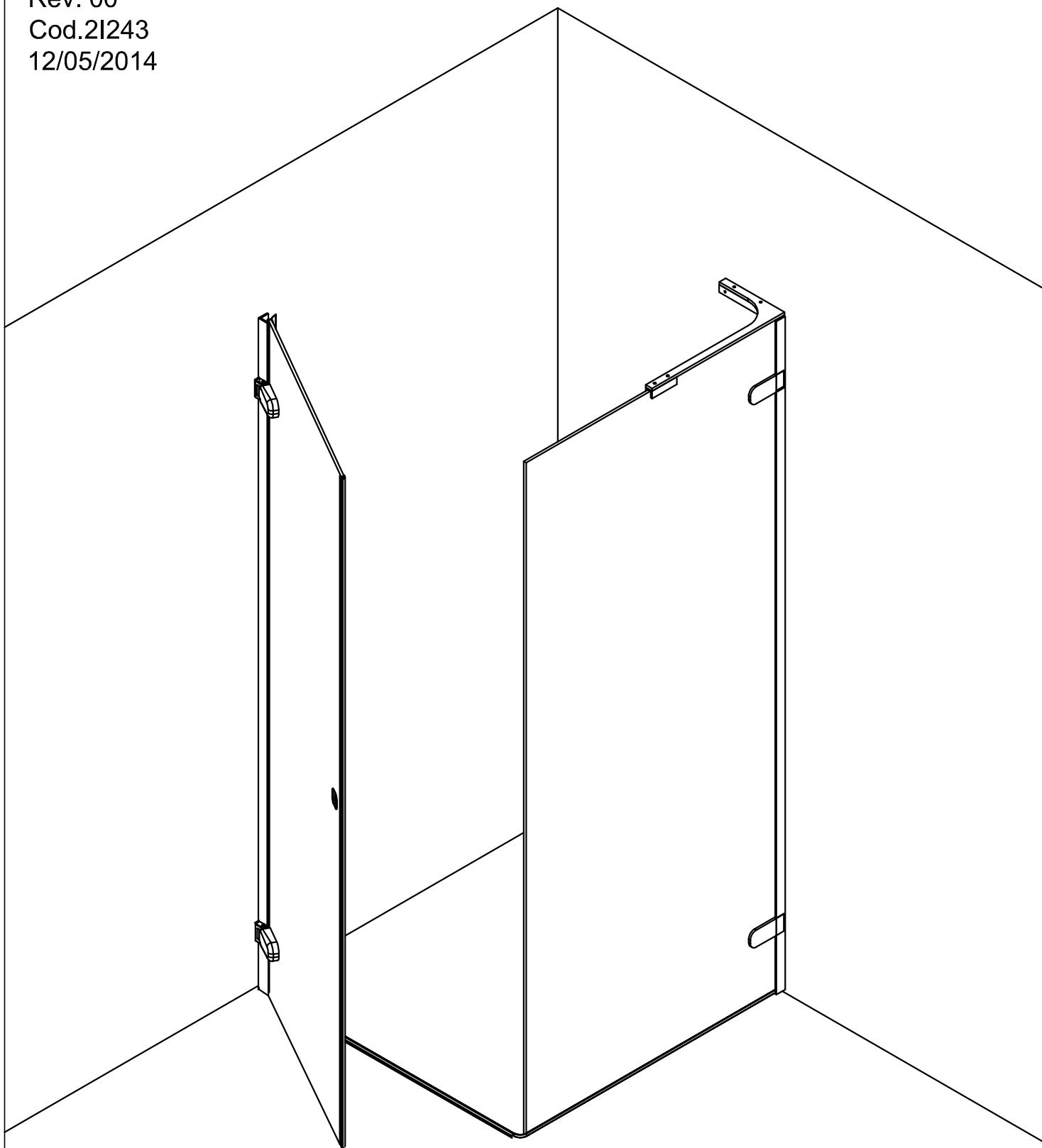
1

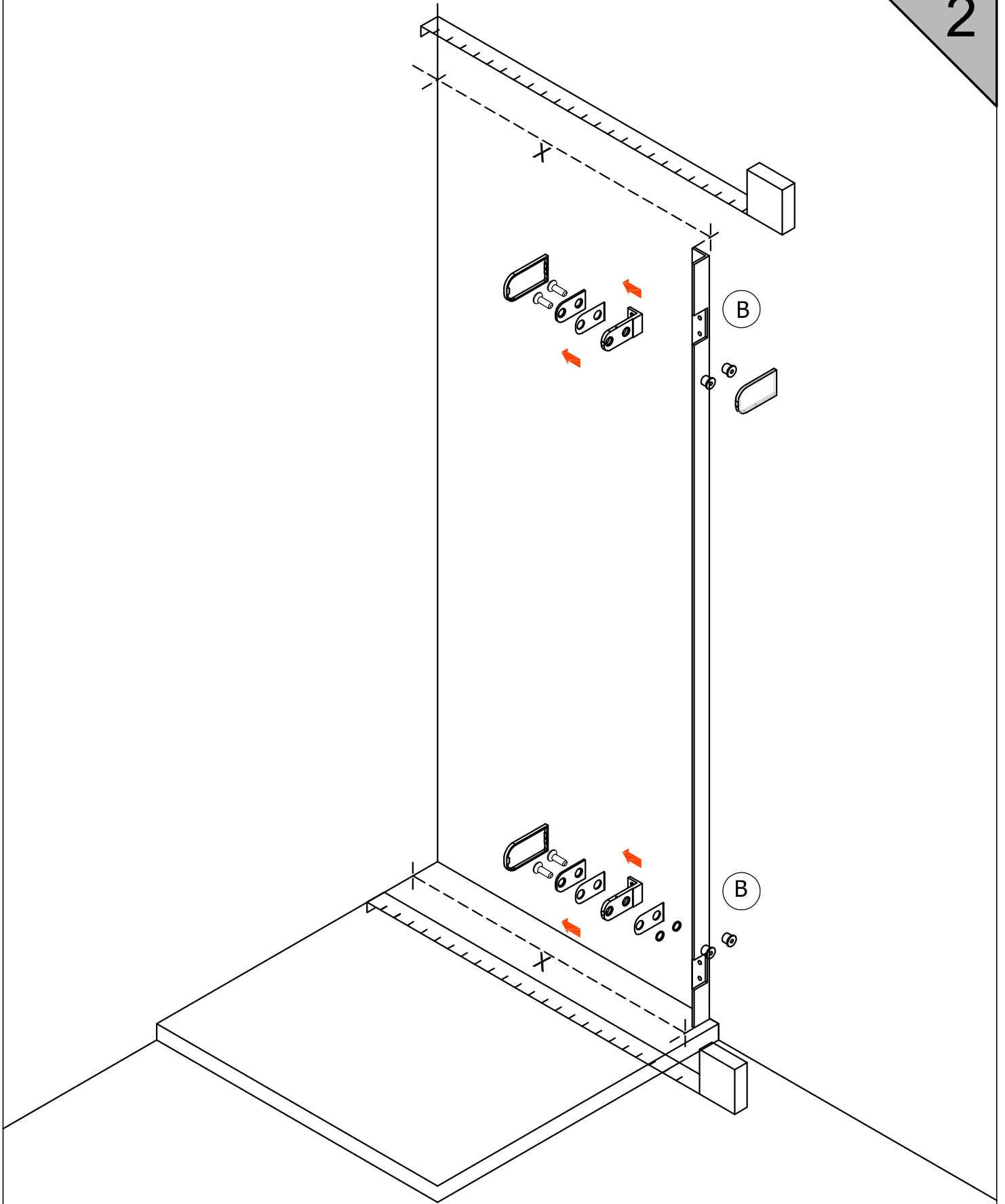
- ⓘ Istruzioni di montaggio
- ⒼⒹ Assembly instructions
- Ⓓ Installationsanweisungen
- Ⓕ Istrucciones de montaje
- Ⓔ Notice de montage

Rev. 00

Cod.2I243

12/05/2014

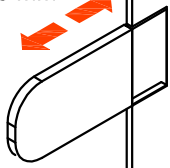




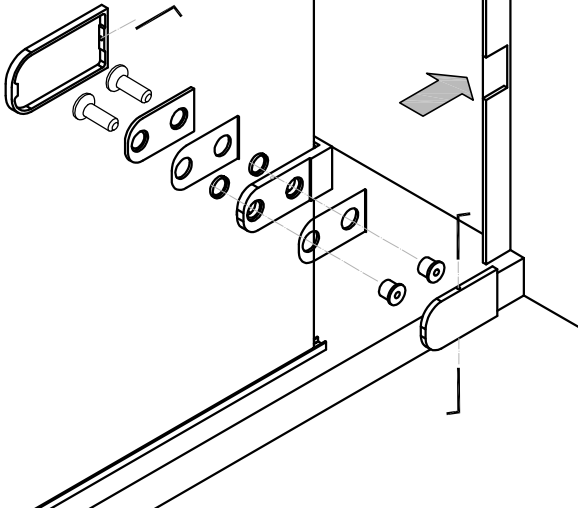
<p>∅8</p>	<p>B 4 x ∅ 8x50</p> <p>4x5x60</p>	<p>2 x</p>
-----------	------------------------------------------	------------

1

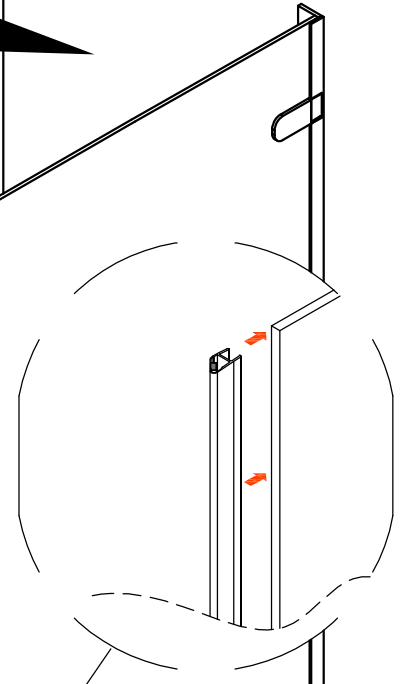
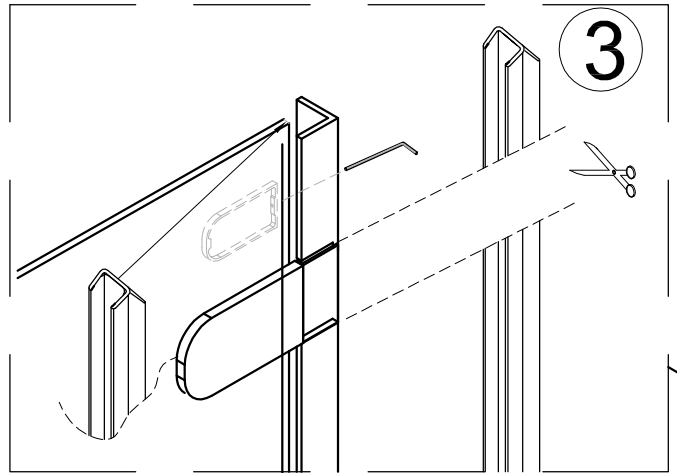
+/-15 mm



2

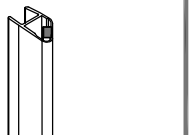


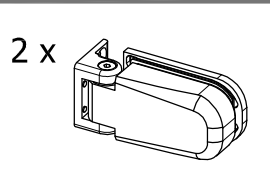
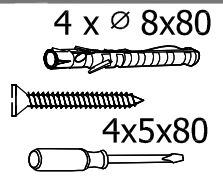
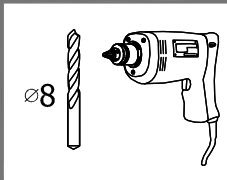
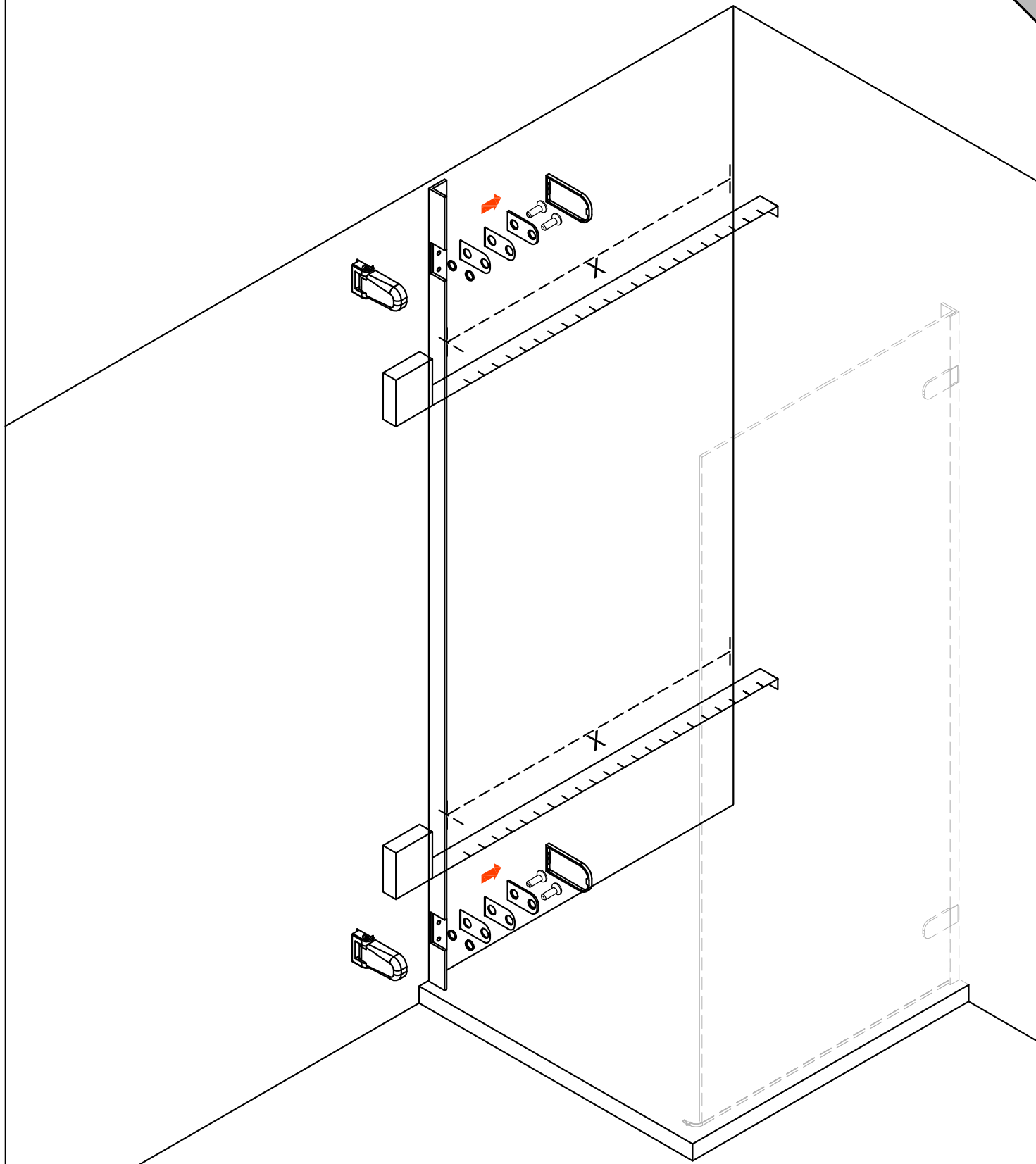
3



SILICONE

1 x





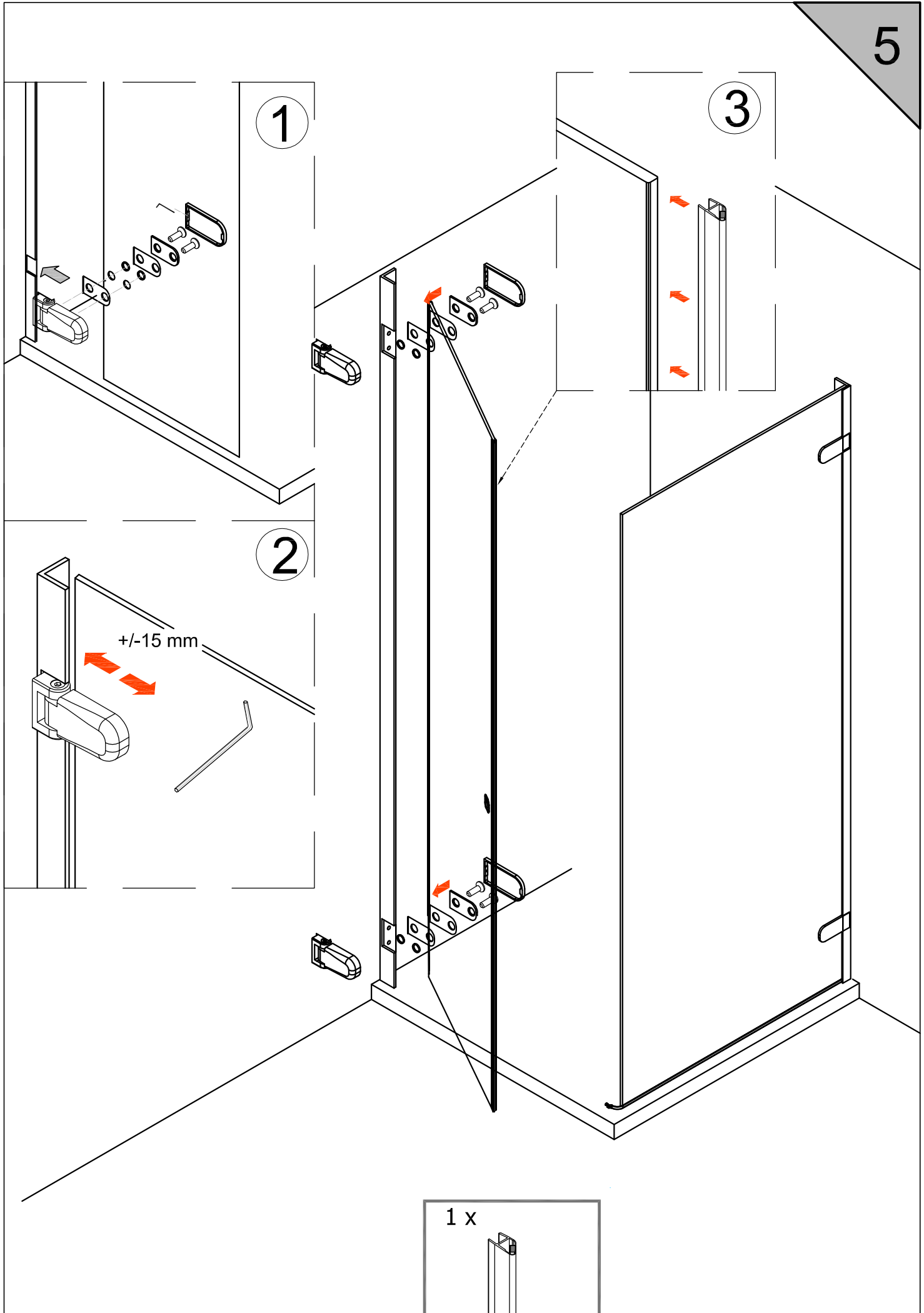
1

3

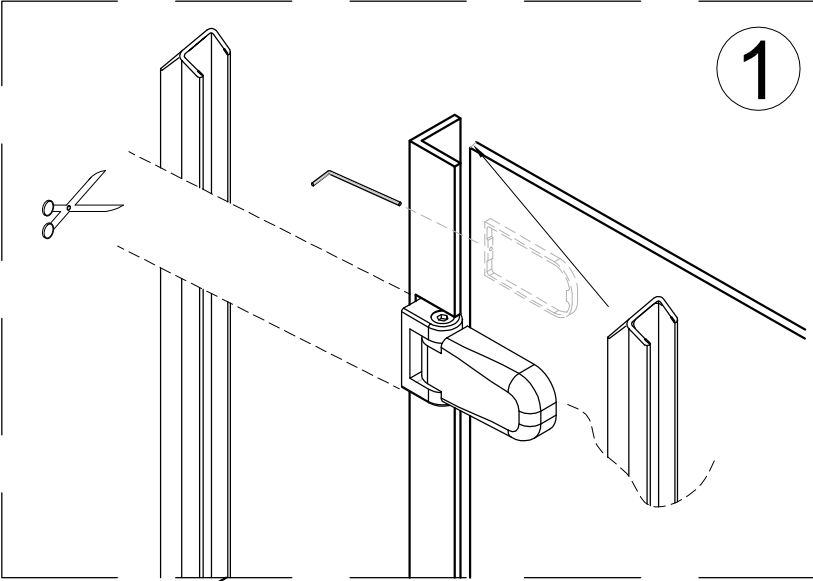
2

+/-15 mm

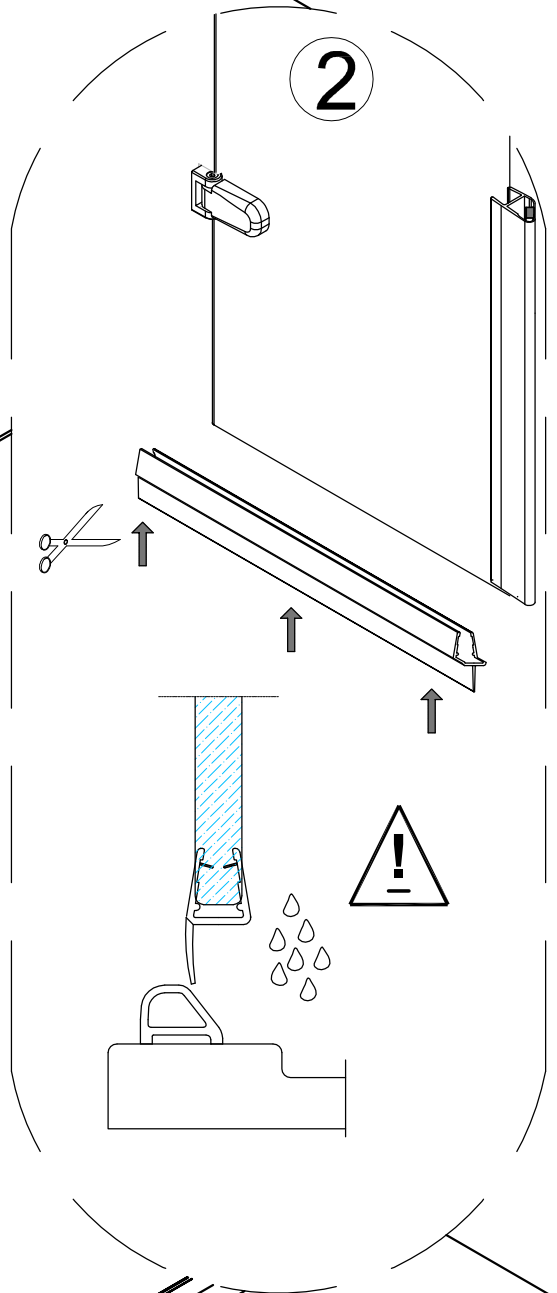
1 x



1

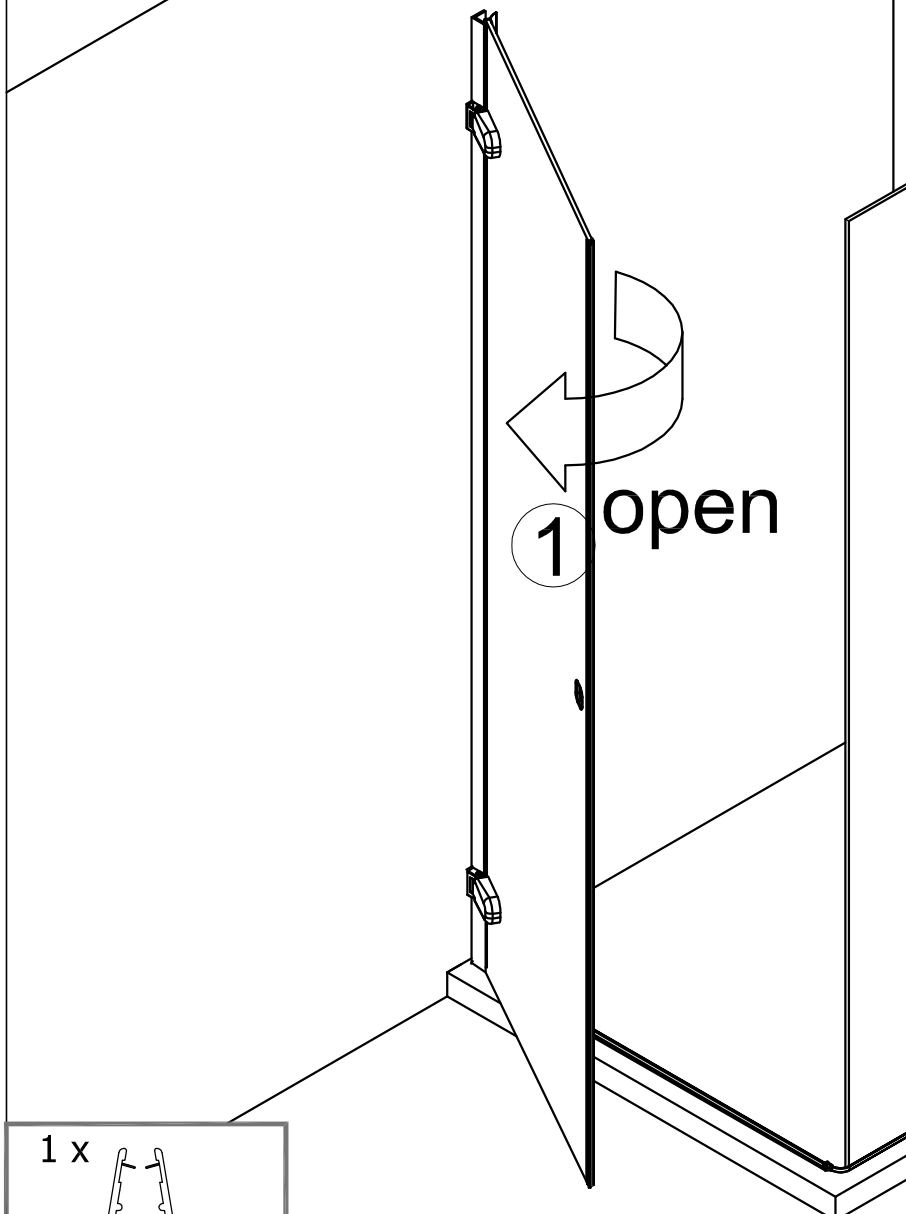


2

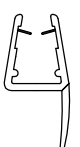


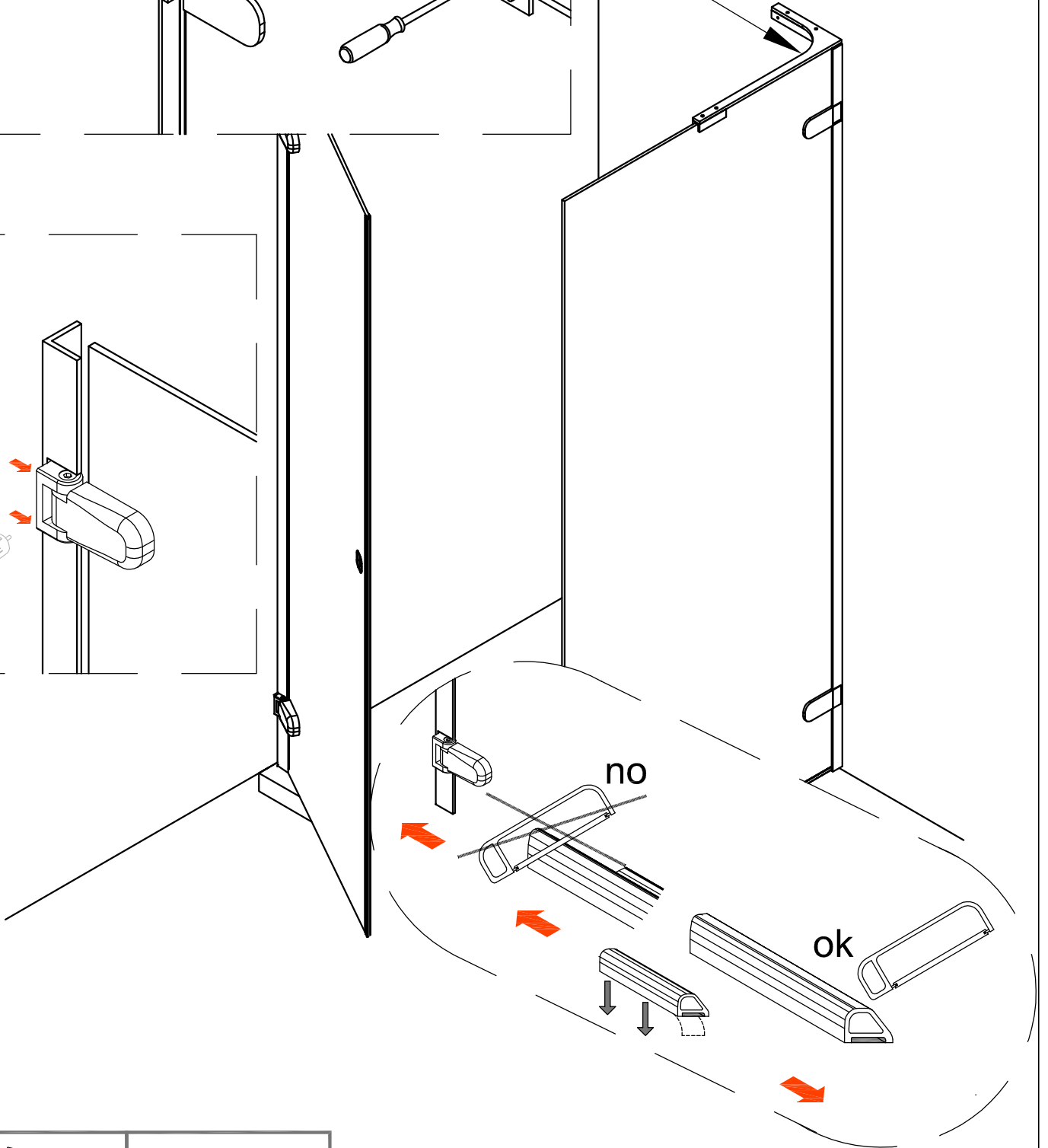
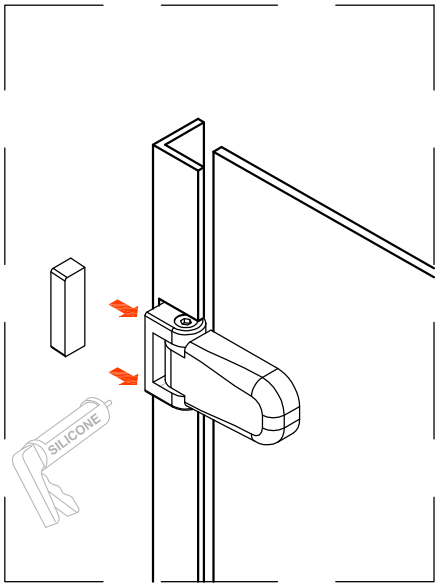
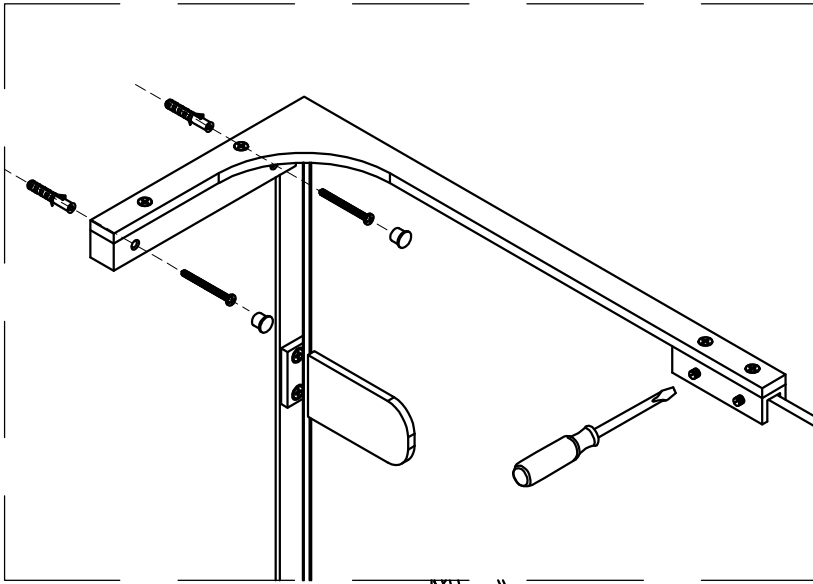
1 open


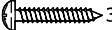
1



1 x





2 x   3.9X32

∅6

