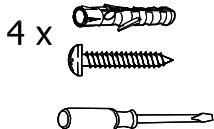
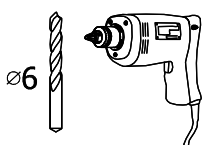
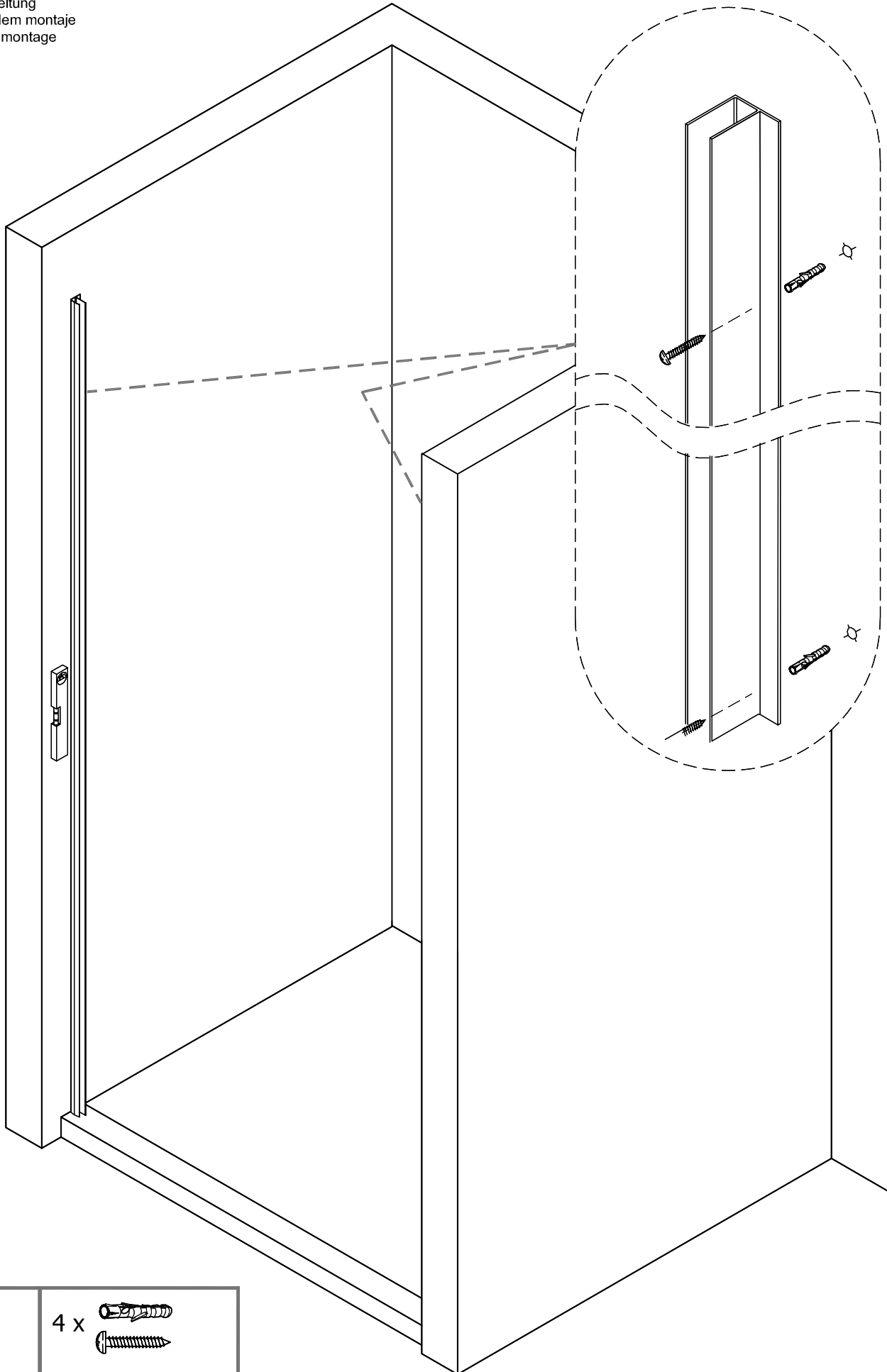


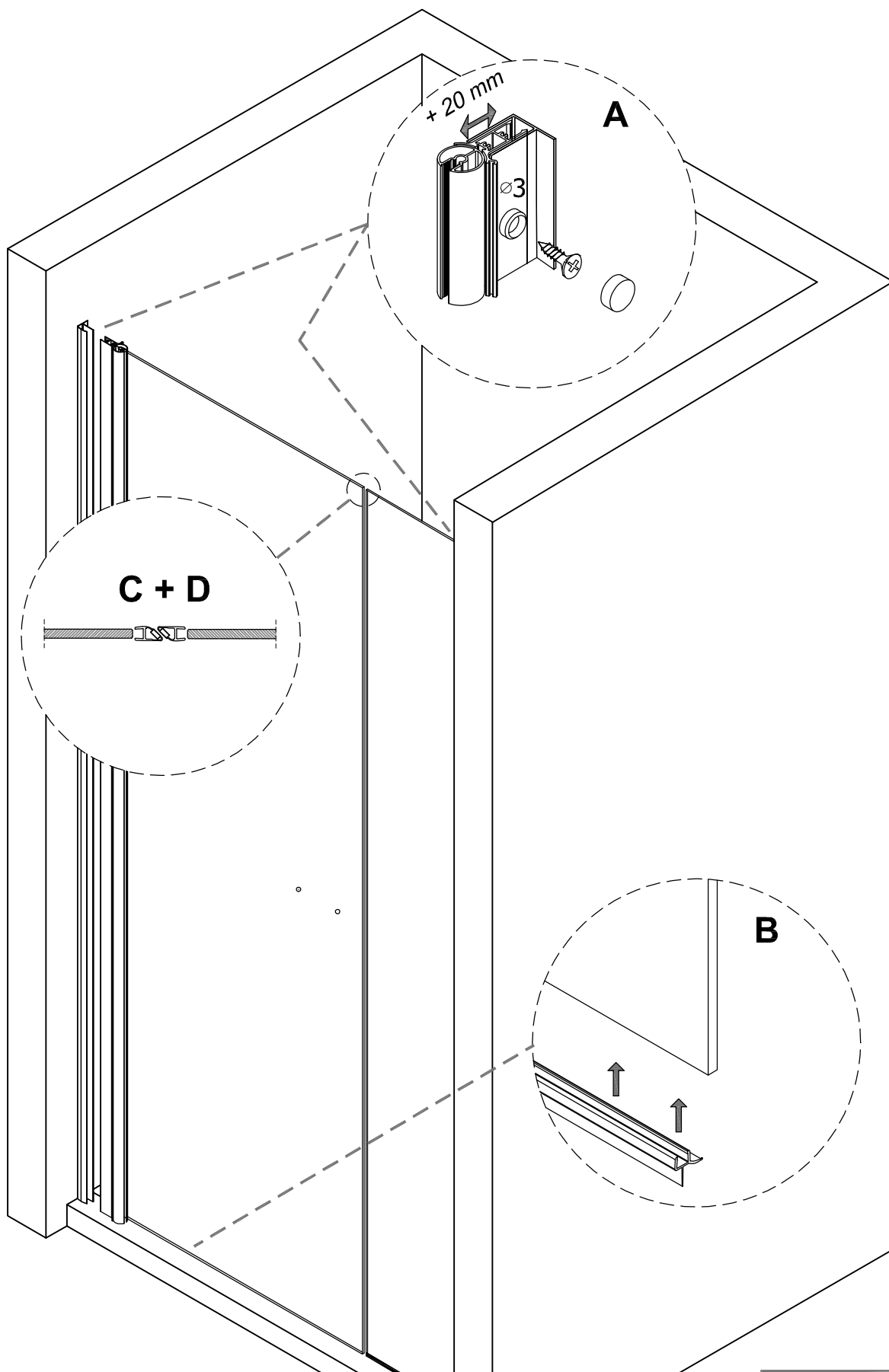
# WEB 1.0 B1F

1

- I Istruzioni di montaggio
- GB Installation instruction
- D Installationsanleitung
- E Instrucciones de montaje
- F Instructions de montage

21123  
REV.02  
04/03/2016





2 x **C-D**

Two vertical corner profiles are shown side-by-side.

$\varnothing 3$

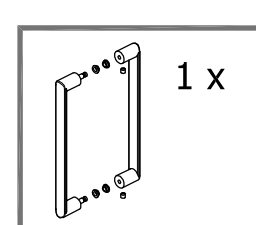
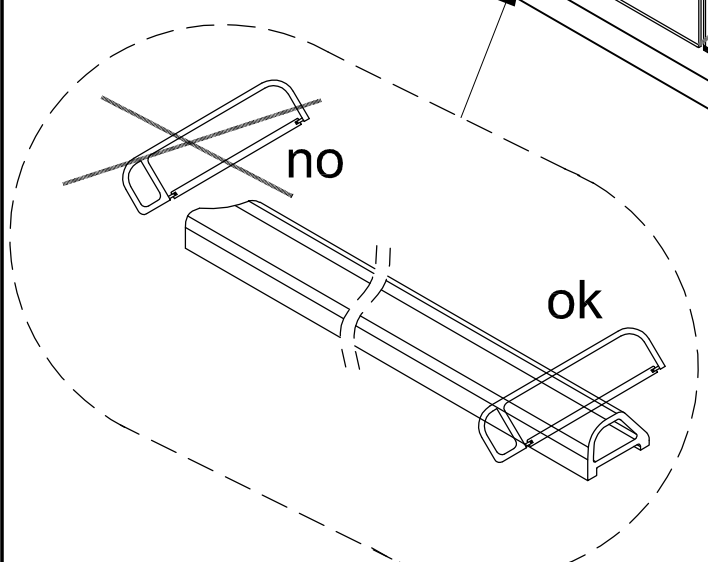
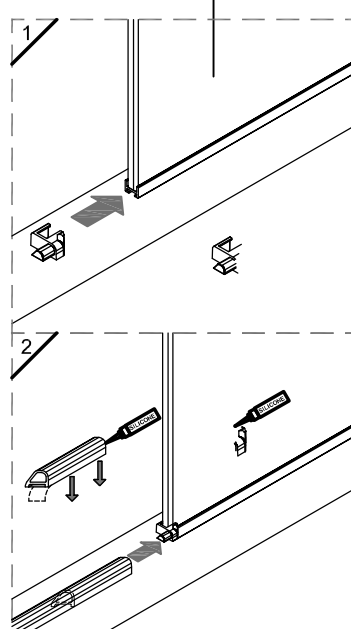
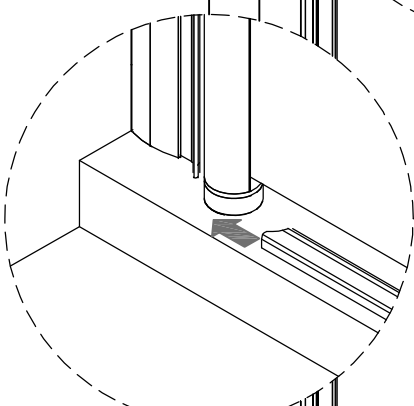
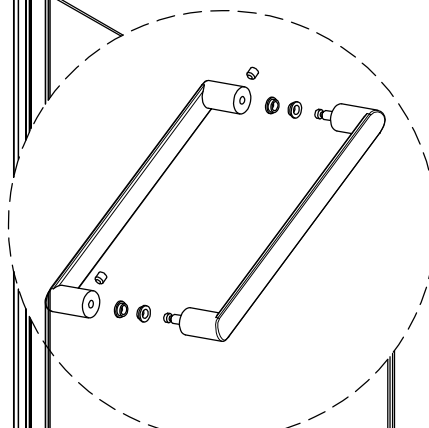
A drill bit with a diameter of  $\varnothing 3$  is shown next to a power drill.

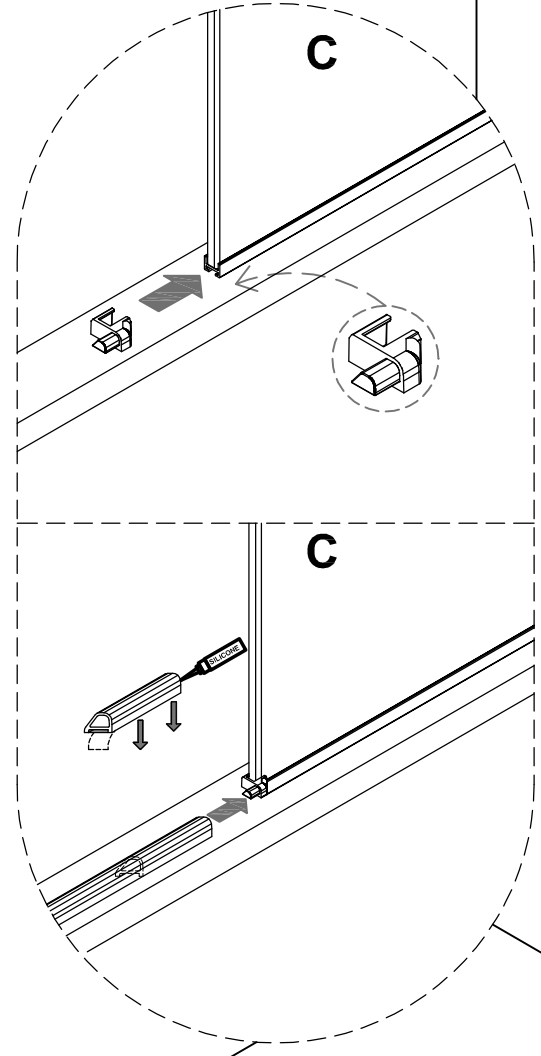
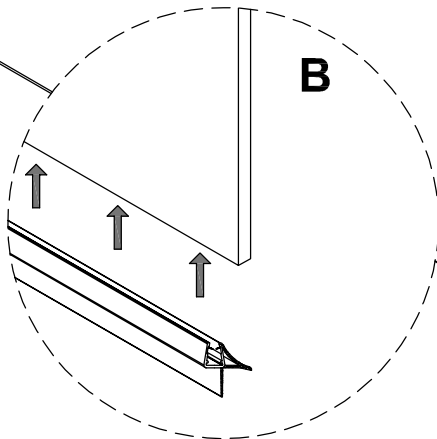
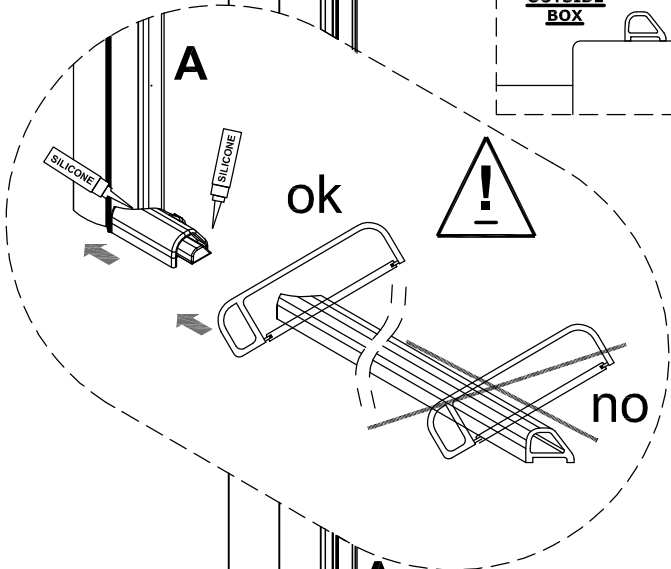
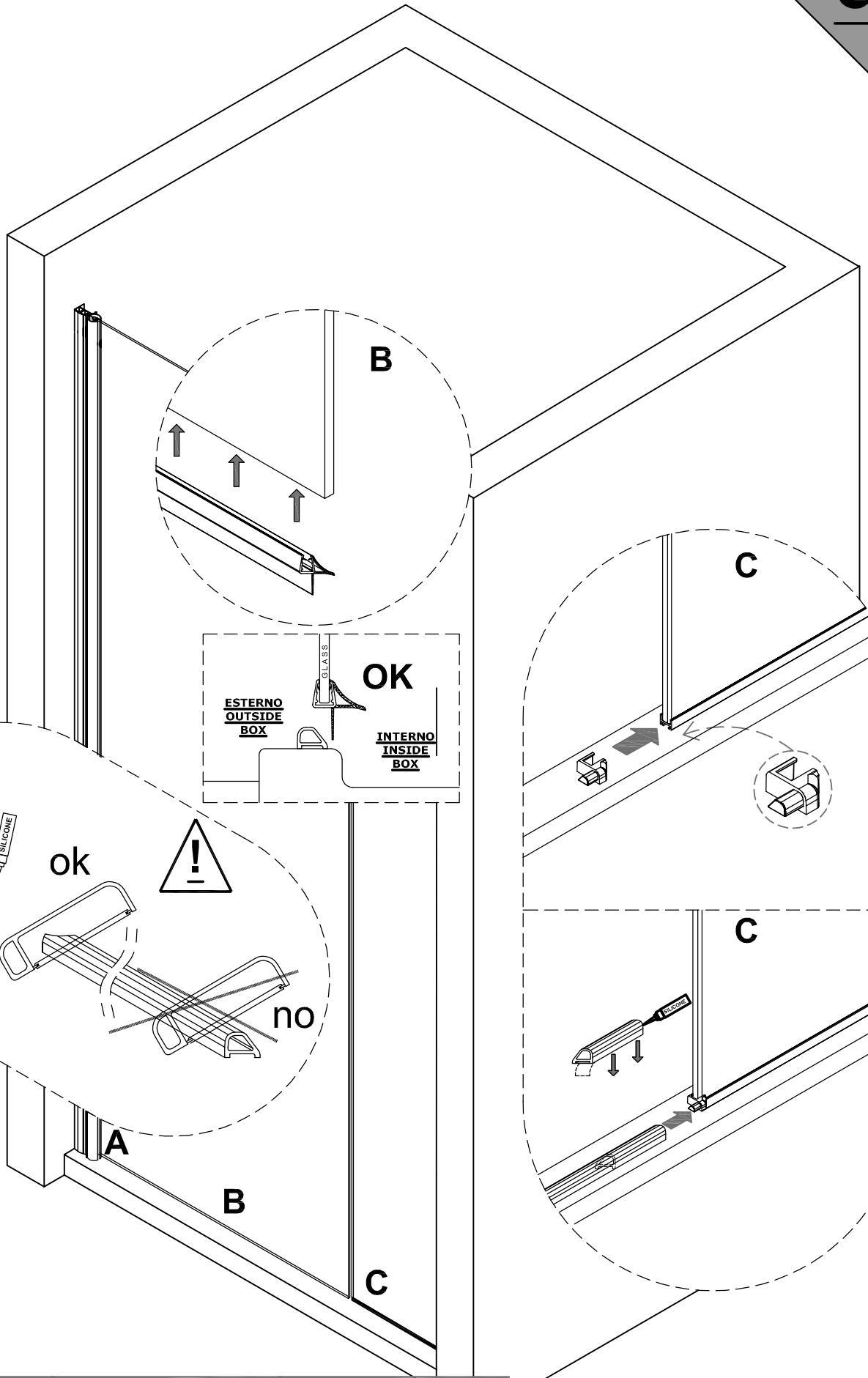
4 x **A**

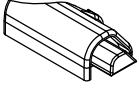
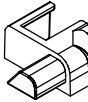
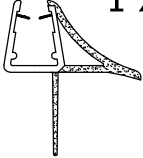
Four screws and two washers are shown.

**B** 1 x

A single vertical corner profile is shown.





- |   |     |   |     |   |     |
|---|-----|---|-----|---|-----|
| <b>A</b>  | 1 x | <b>B</b>  | 1 x | <b>C</b>  | 1 x |
|  |     |  |     |  |     |

