

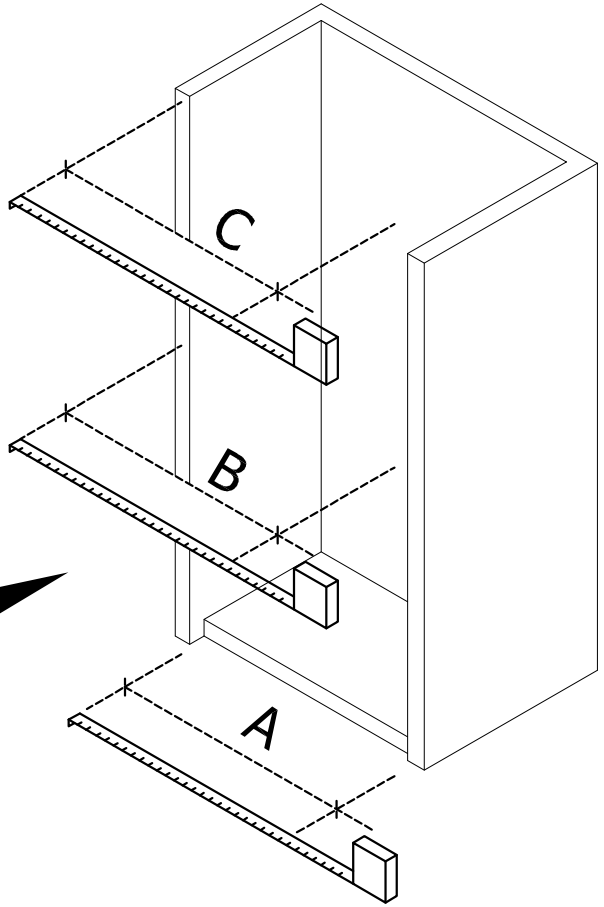
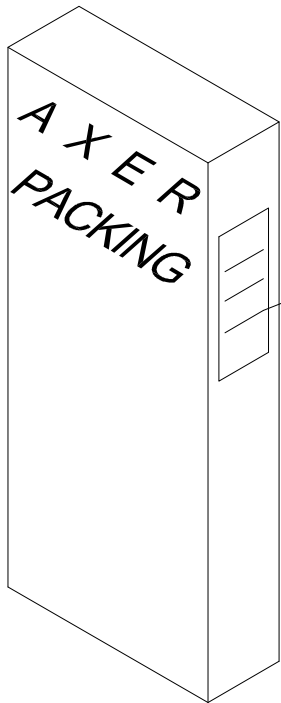
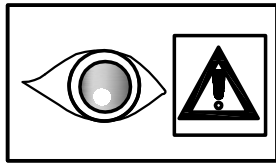
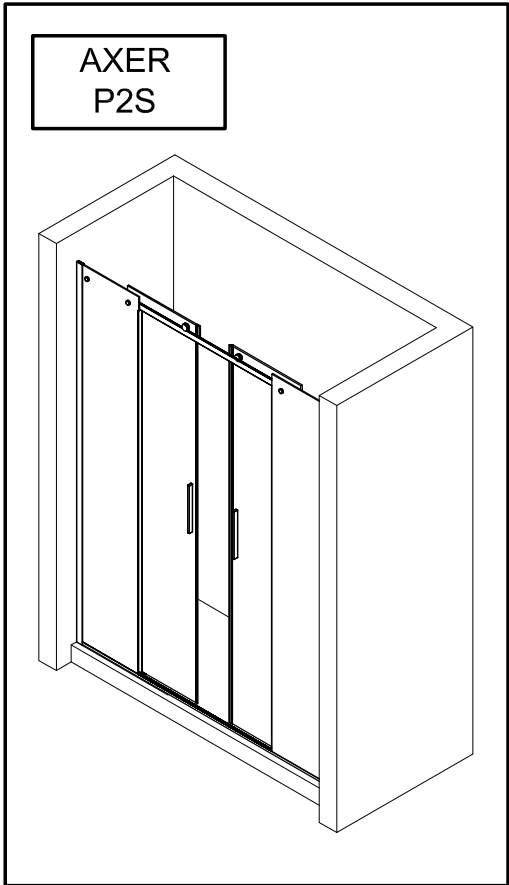
AXER : P2S

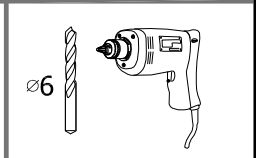
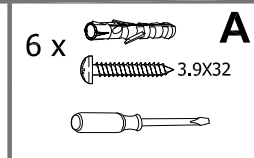
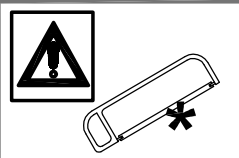
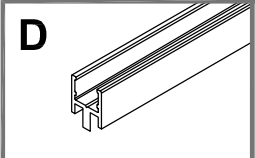
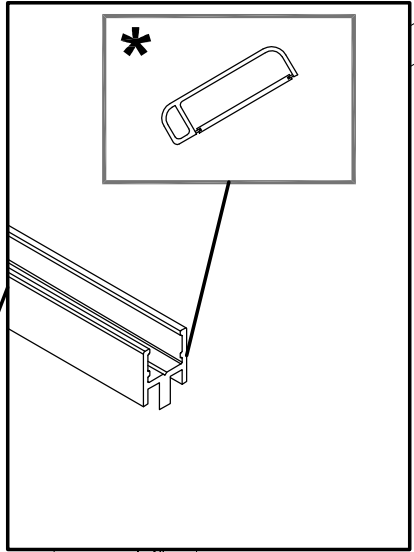
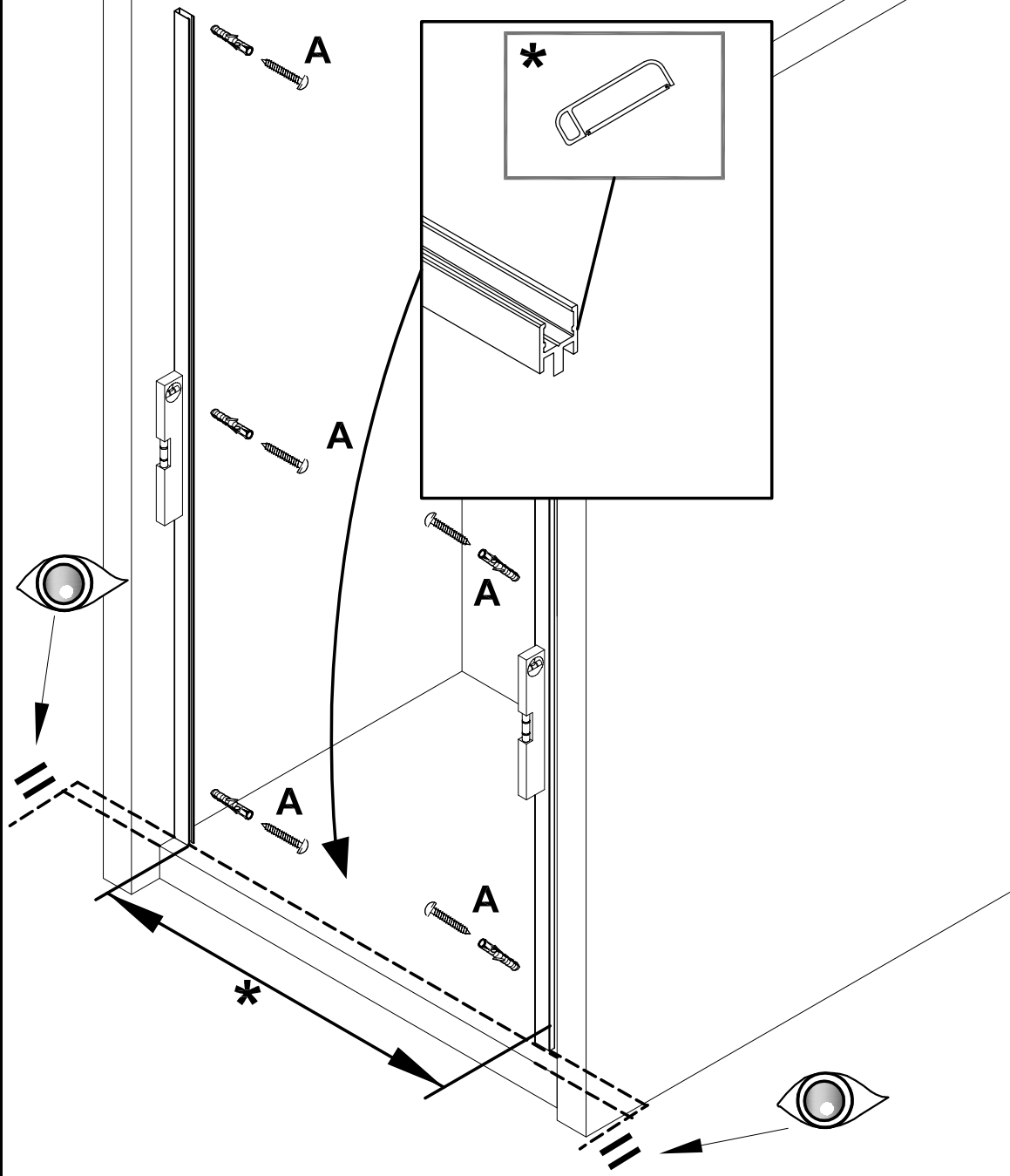
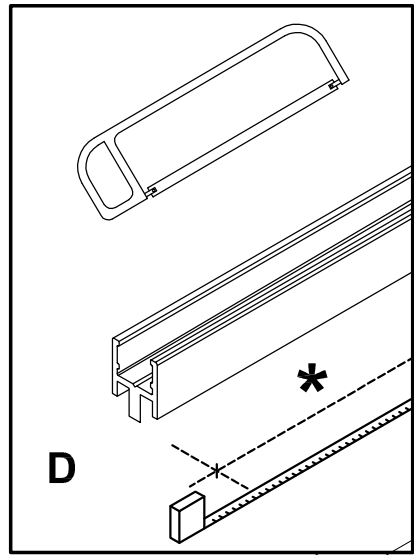
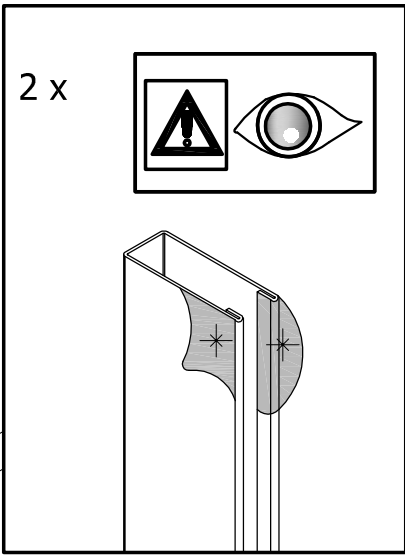
- I Istruzioni di montaggio
- GB Installation instruction
- D Installationsanleitung
- E Instrucciones dem montaje
- F Instructions de montage

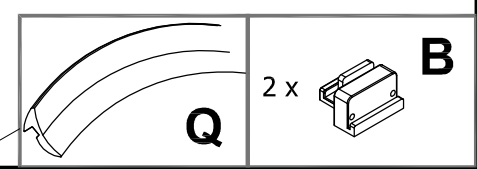
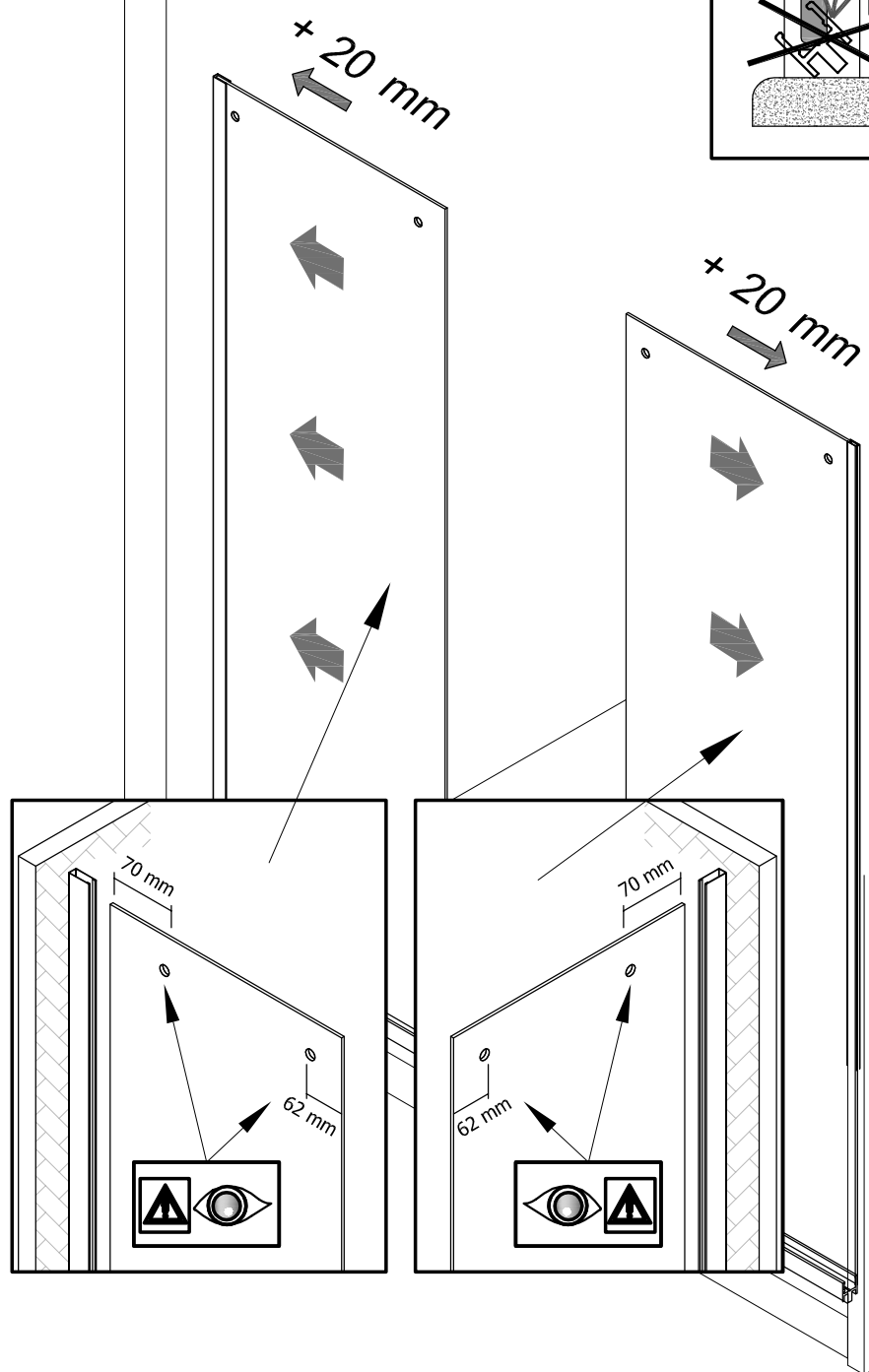
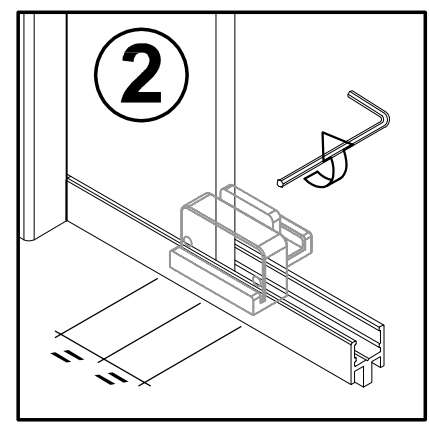
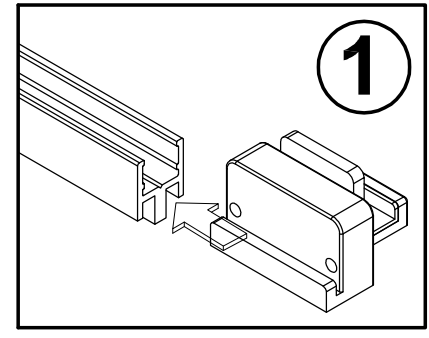
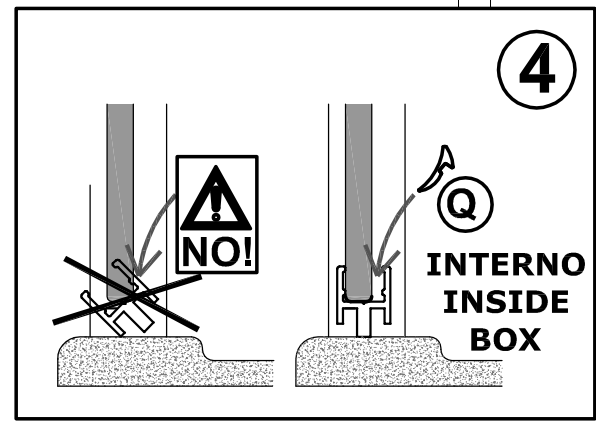
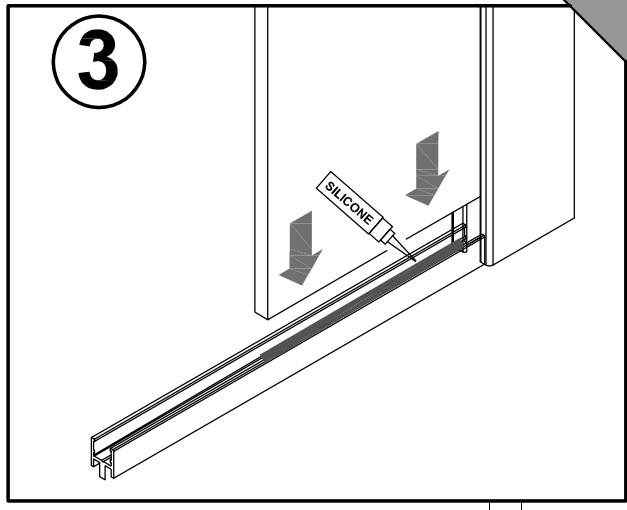
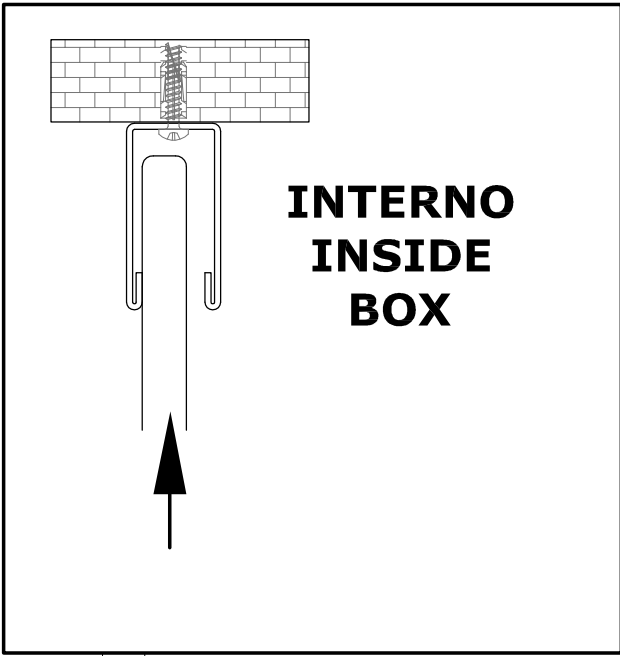
COD. 21..
Rev.00
25/02/2016

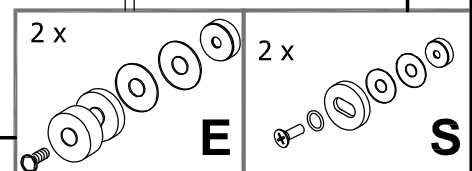
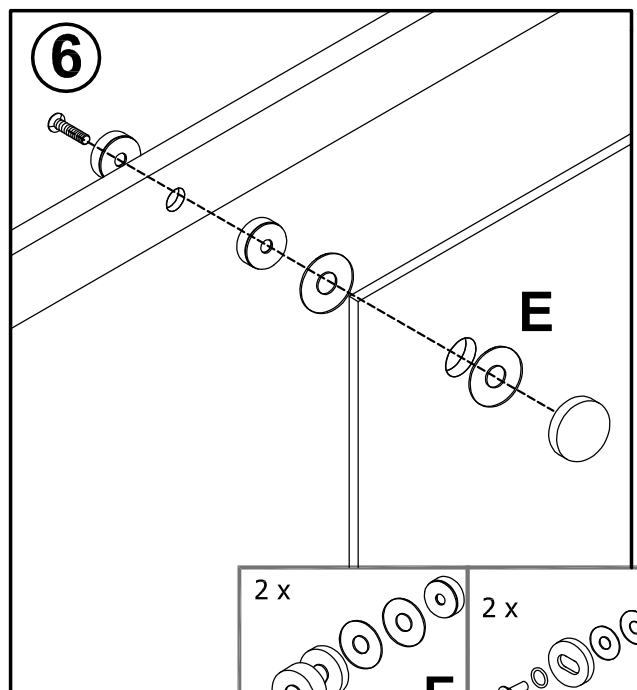
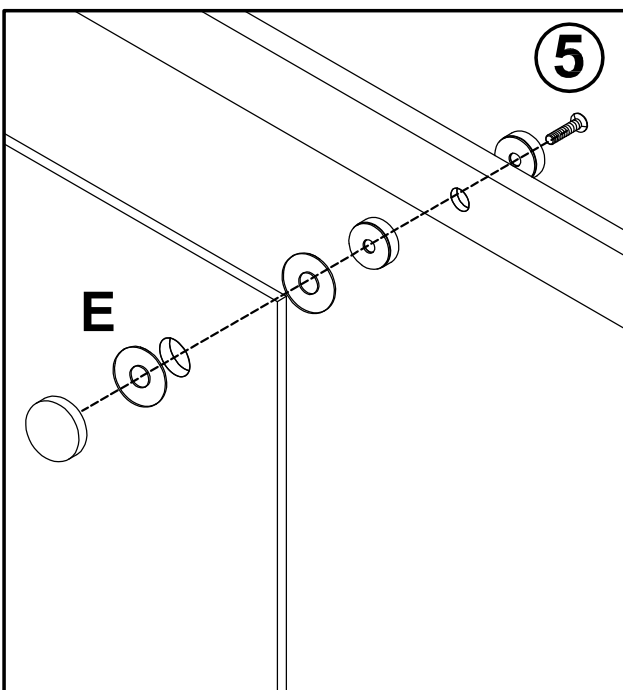
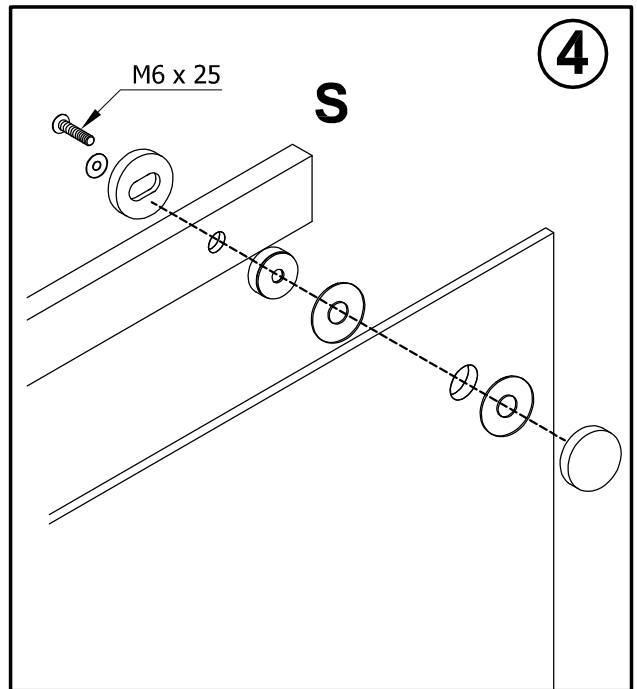
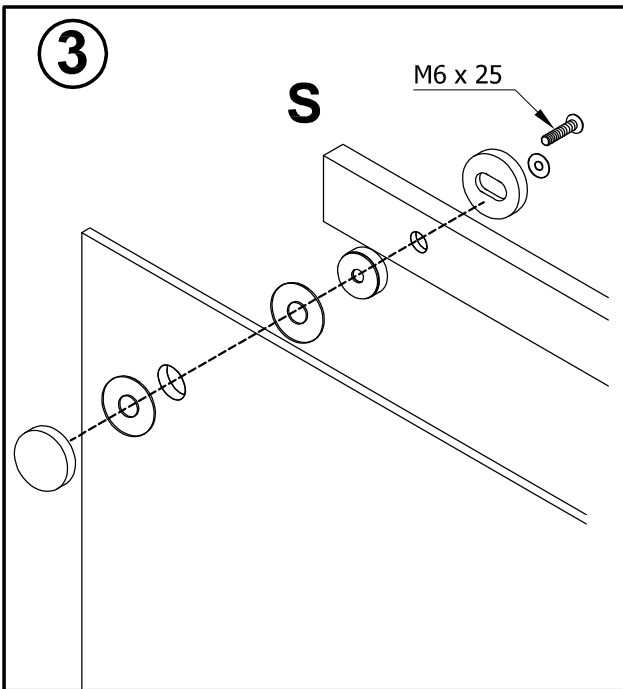
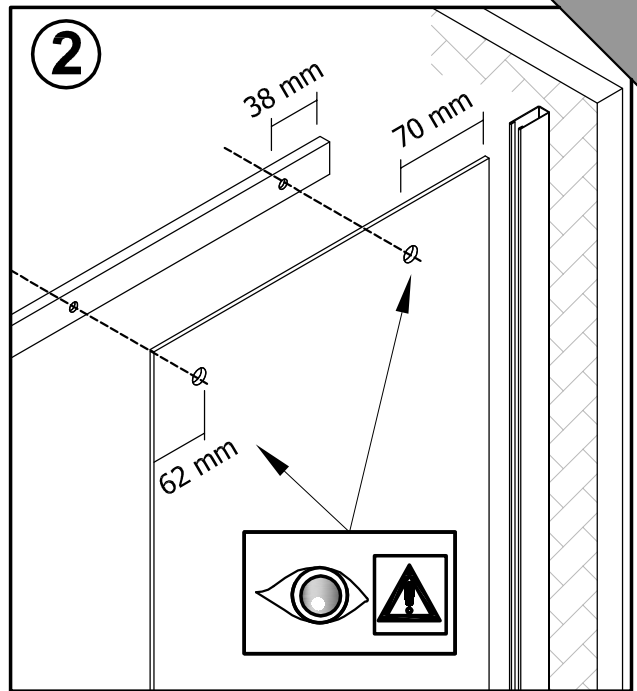
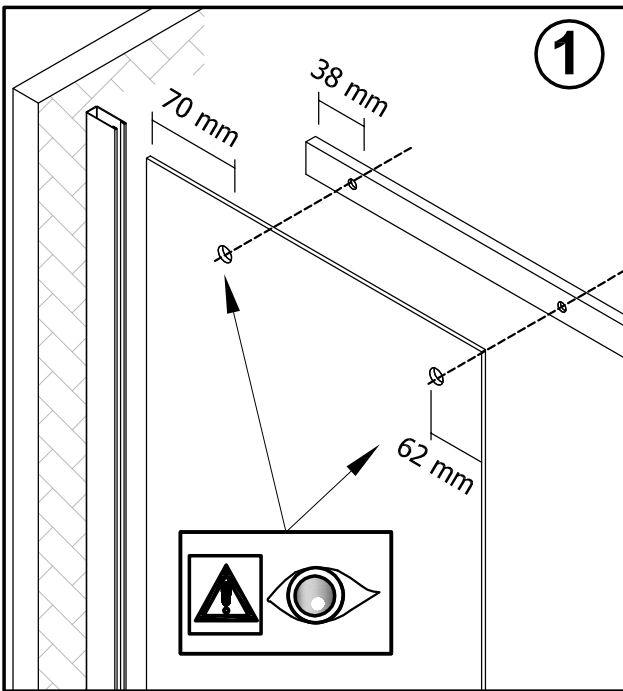
P2S

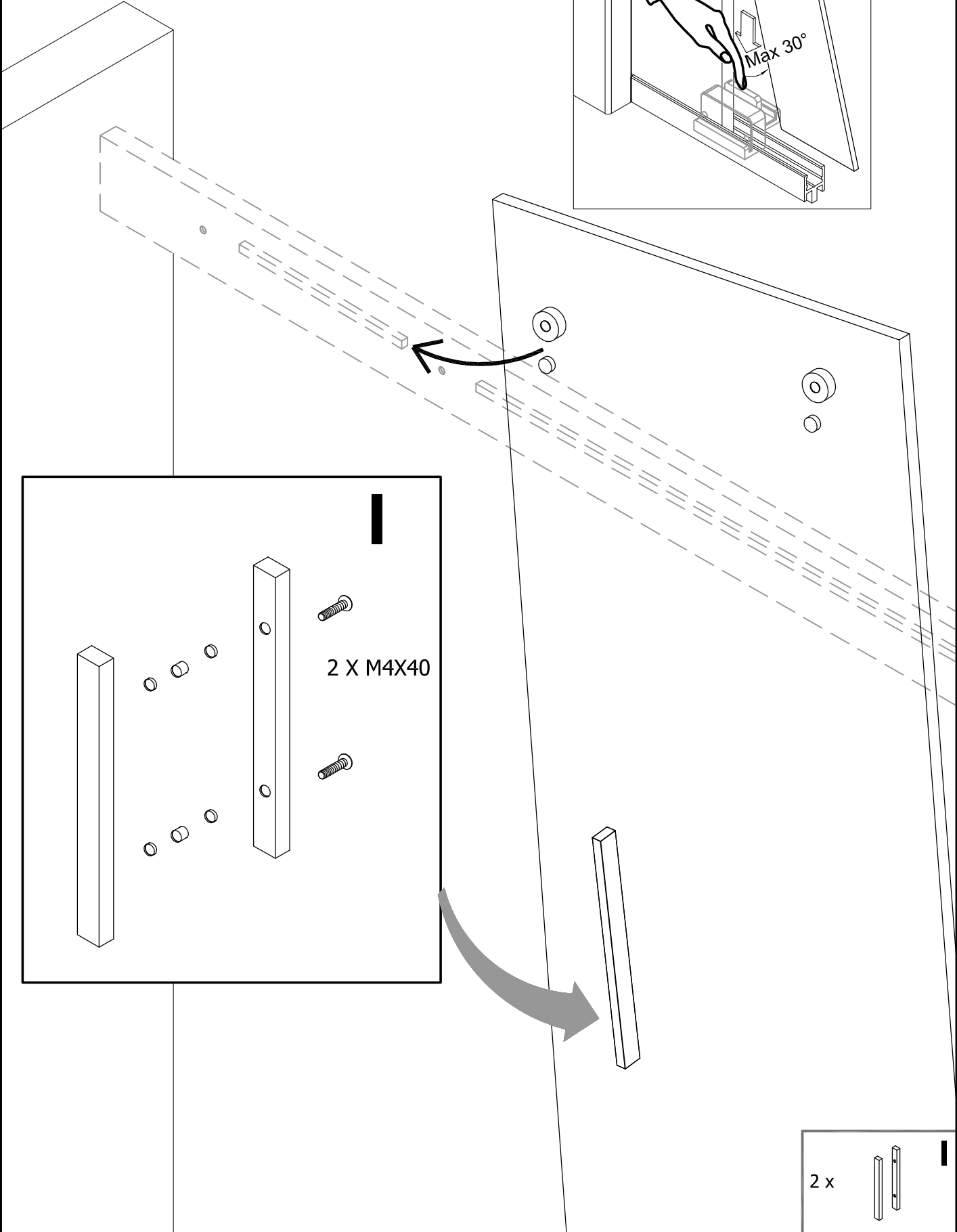
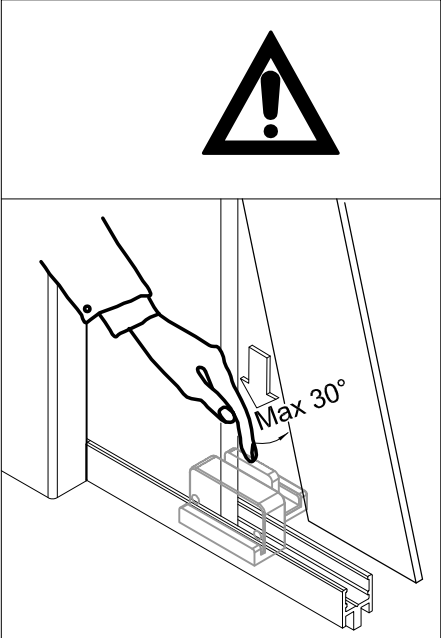
6 x A 3.9X32	2 x B	C
D	2 x E	2x F
2 x G	2 x H Glass 6 mm	2 x O Glass 8 mm
2 x I	2 x S	Q











2 X M4X40

This block contains a list of parts for the door assembly, including two long rectangular bars, two screws, and four washers. A thick vertical bar is also present.

2 x

This block contains a list of parts for the frame assembly, including two long rectangular bars. A thick vertical bar is also present.

